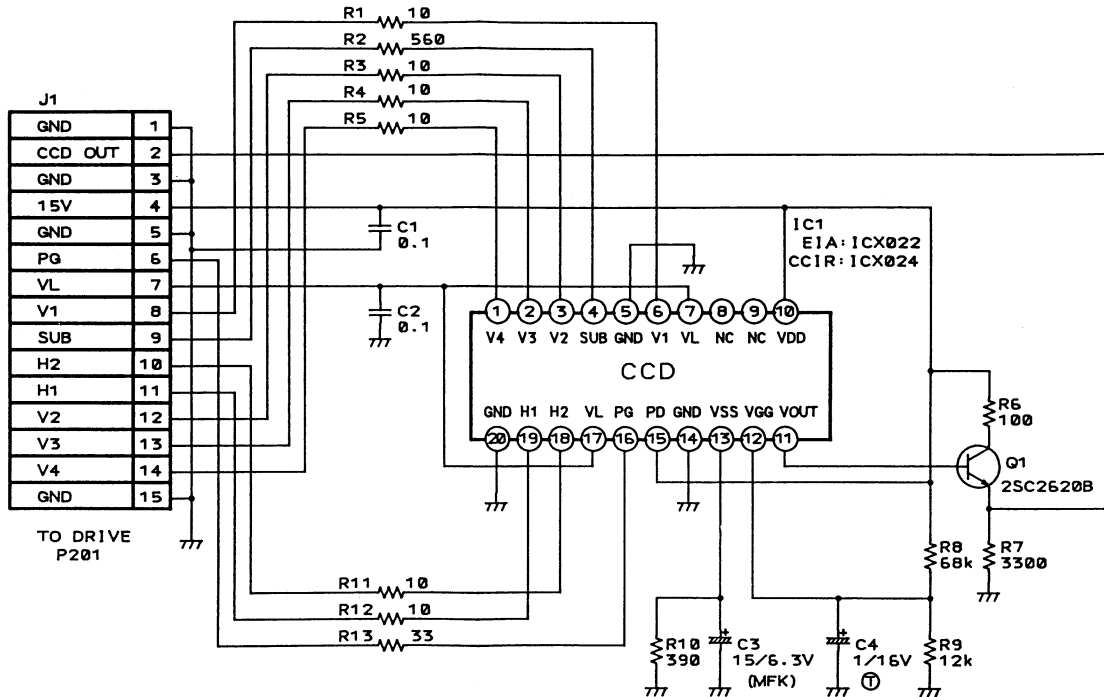
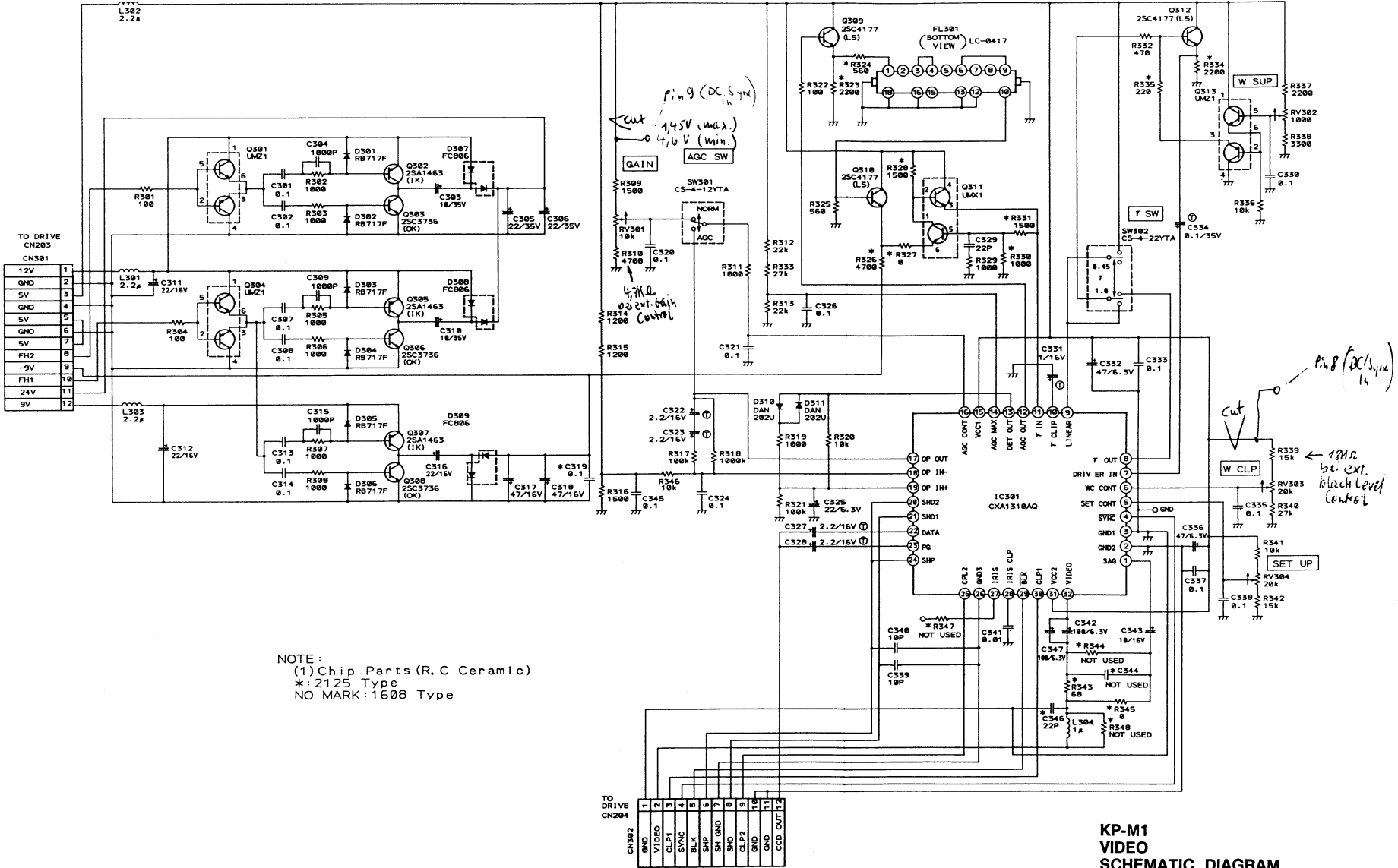


KP-M1
BLOCK DIAGRAM

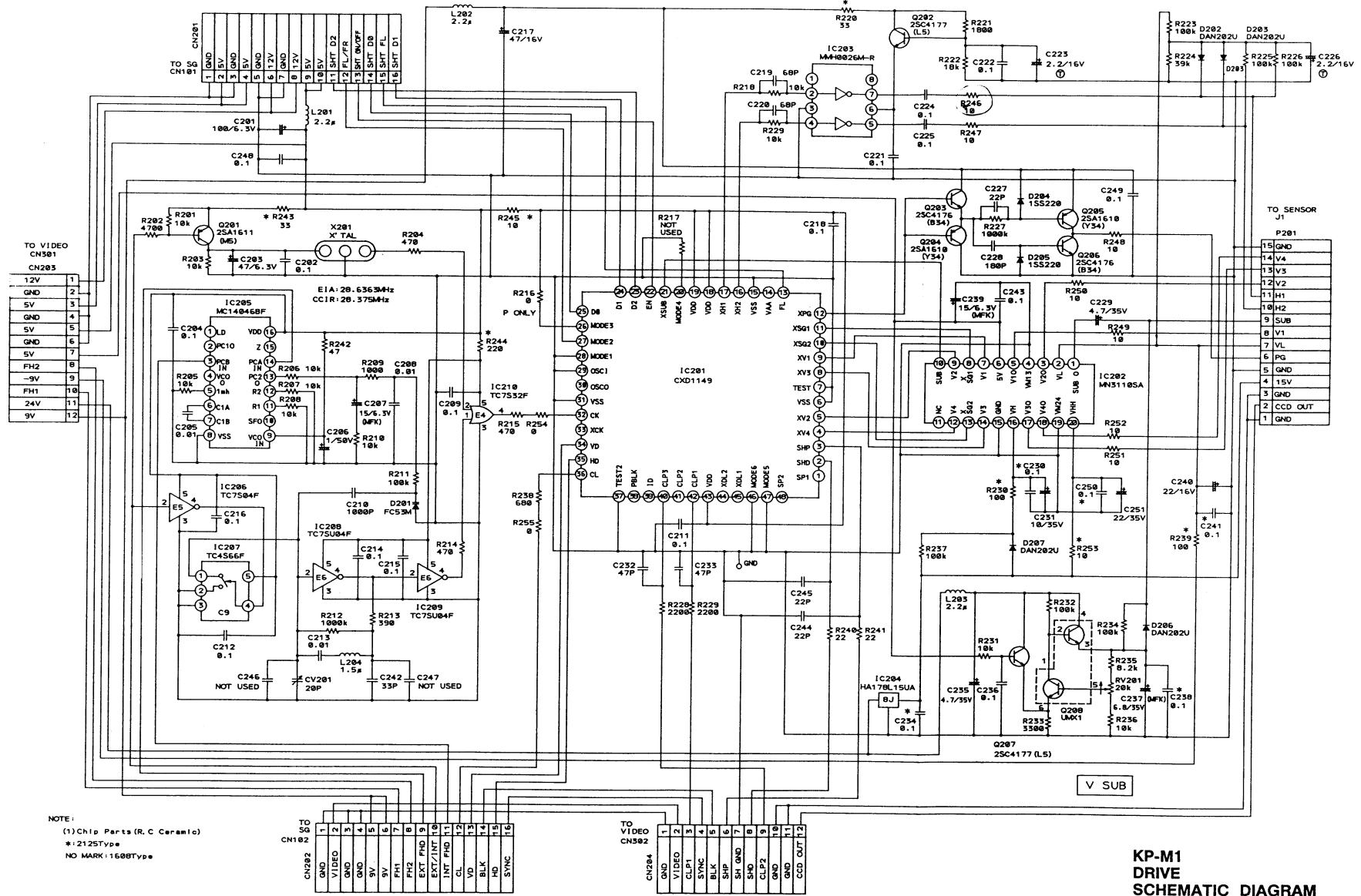


NOTE
 XMI:IR cut filter IRC650

KP-M1
 SENSOR

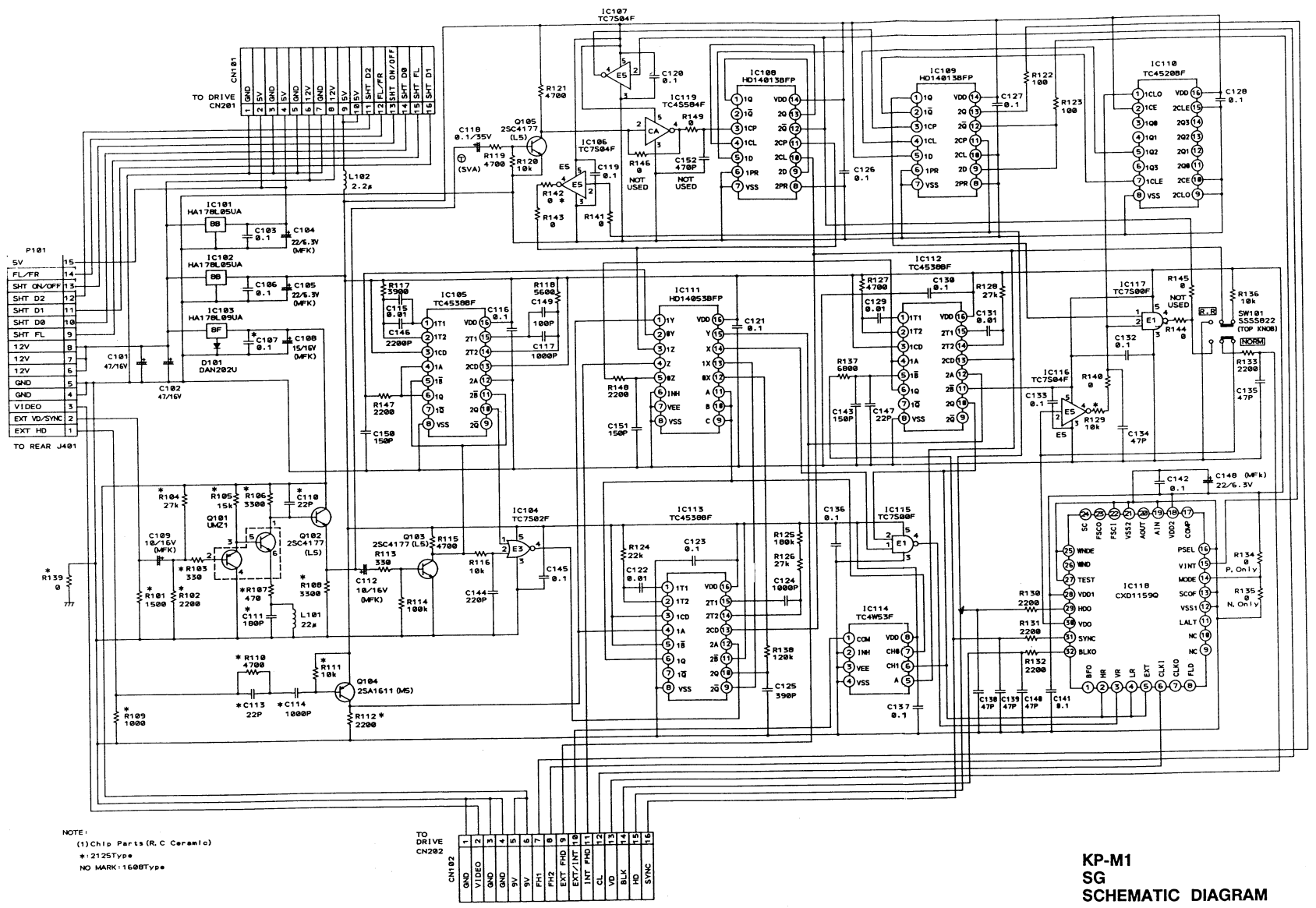


KP-M1 VIDEO SCHEMATIC DIAGRAM



NOTE:
 (1) Chip Parts (R, C Ceramic)
 * : 2125Type
 NO MARK : 1608Type

**KP-M1
 DRIVE
 SCHEMATIC DIAGRAM**

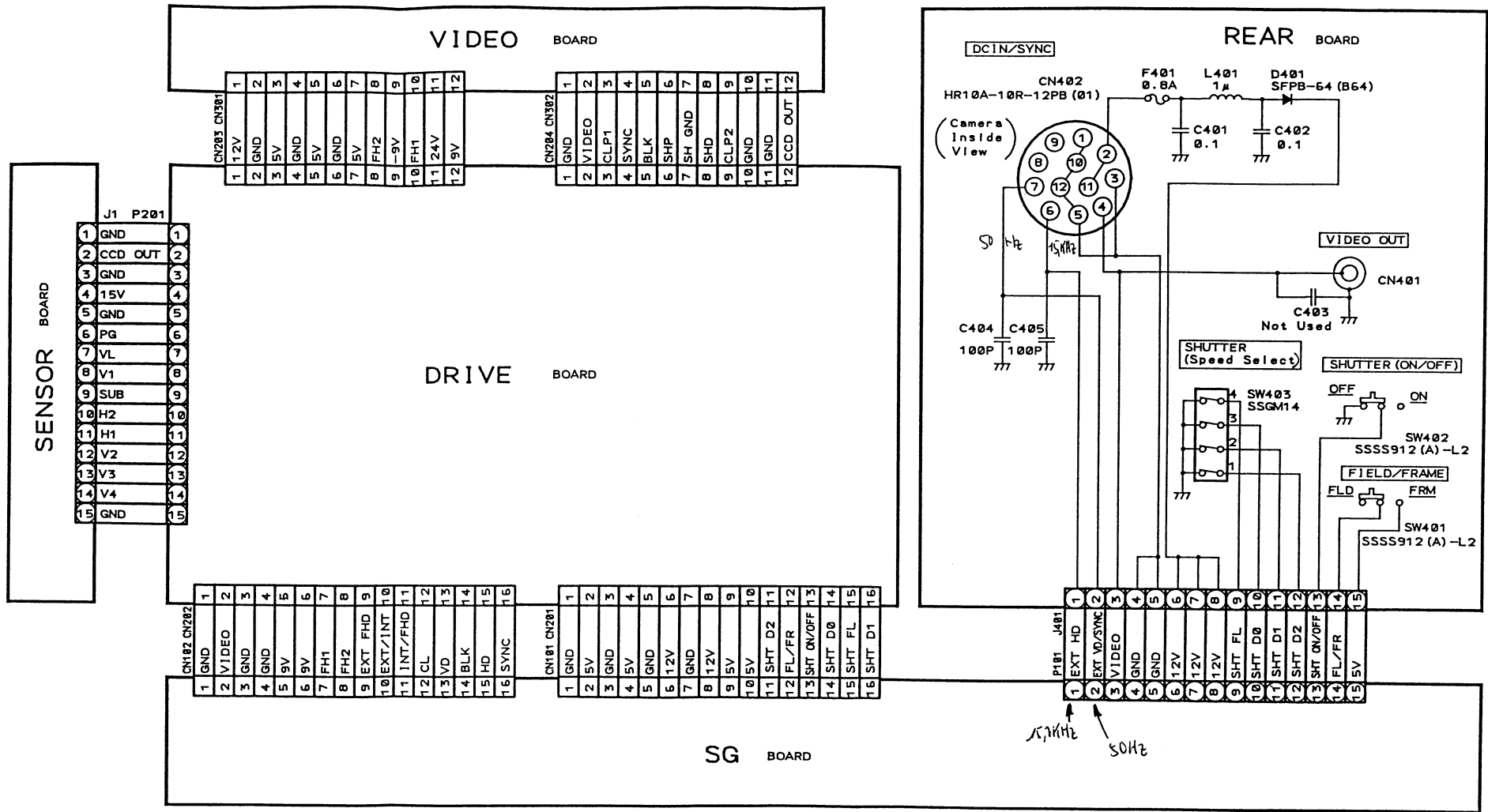


NOTE:
 (1) Chip Parts (R, C Ceramic)
 * - 2125Type
 NO MARK - 1608Type

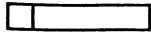
TO DRIVE CN262

1	GND
2	VIDEO
3	GND
4	GND
5	3V
6	3V
7	PH1
8	PH2
9	EXT. HD
10	EXT. INT
11	EXT. INT
12	EXT. INT
13	EXT. INT
14	EXT. INT
15	EXT. INT
16	EXT. INT
17	EXT. INT
18	EXT. INT
19	EXT. INT
20	EXT. INT
21	EXT. INT
22	EXT. INT
23	EXT. INT
24	EXT. INT
25	EXT. INT
26	EXT. INT
27	EXT. INT
28	EXT. INT
29	EXT. INT
30	EXT. INT
31	EXT. INT
32	EXT. INT
33	EXT. INT
34	EXT. INT
35	EXT. INT
36	EXT. INT
37	EXT. INT
38	EXT. INT
39	EXT. INT
40	EXT. INT
41	EXT. INT
42	EXT. INT
43	EXT. INT
44	EXT. INT
45	EXT. INT
46	EXT. INT
47	EXT. INT
48	EXT. INT
49	EXT. INT
50	EXT. INT
51	EXT. INT
52	EXT. INT
53	EXT. INT
54	EXT. INT
55	EXT. INT
56	EXT. INT
57	EXT. INT
58	EXT. INT
59	EXT. INT
60	EXT. INT
61	EXT. INT
62	EXT. INT
63	EXT. INT
64	EXT. INT
65	EXT. INT
66	EXT. INT
67	EXT. INT
68	EXT. INT
69	EXT. INT
70	EXT. INT
71	EXT. INT
72	EXT. INT
73	EXT. INT
74	EXT. INT
75	EXT. INT
76	EXT. INT
77	EXT. INT
78	EXT. INT
79	EXT. INT
80	EXT. INT
81	EXT. INT
82	EXT. INT
83	EXT. INT
84	EXT. INT
85	EXT. INT
86	EXT. INT
87	EXT. INT
88	EXT. INT
89	EXT. INT
90	EXT. INT
91	EXT. INT
92	EXT. INT
93	EXT. INT
94	EXT. INT
95	EXT. INT
96	EXT. INT
97	EXT. INT
98	EXT. INT
99	EXT. INT
100	EXT. INT

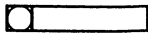
KG-M1
SG
SCHEMATIC DIAGRAM



NOTE:



DETACHABLE



UNDETACHABLE

KP-M1
WIRING & REAR
SCHEMATIC DIAGRAM